



**TADIRAN AIROW 3™**

Hydrogen Peroxide Aerosol Disinfectant

Any Space Can Be  
a Safe Place.

# Tadiran is Leading the Future of Air

Our vision is to have a positive impact on people's health and quality of life through innovative, environmentally friendly technologies that provide improved indoor air.

For over 60 years, as an industry leader, Tadiran Group has applied its engineering knowledge to the development and manufacture of world-class trusted air conditioners. Now, we are putting our expertise towards air quality technologies, because nothing is more important than the air we breathe.

Welcome to the future of air.



# TADIRAN AIROW 3™

Hydrogen Peroxide Aerosol Disinfector

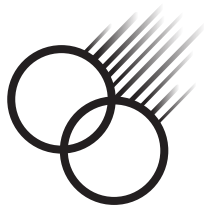


## A Remedy Against Harmful Pathogens

The COVID-19 pandemic has heightened awareness of the importance of air quality in our lives. We spend most of our days indoors and according to studies, indoor air can be up to 5 times more polluted than outdoor air.

Introducing TADIRAN AIROW 3™ a unique Hydrogen Peroxide purifier that reduces airborne pathogens. It is an effective, robust air purification device.

TADIRAN AIROW 3™ devices provide powerful air purification, eliminating certain known aerosolized pathogens including SARS-CoV-2<sup>7</sup>, viruses<sup>8</sup>, bacteria<sup>9</sup>, and mold<sup>10</sup>. It has no ion emission, requires no maintenance, is plug-and-play, and consumes very little energy.



# TADIRAN AIROW 3™

## Pathogens Disinfectant

TADIRAN AIROW 3™ is a  $H_2O_2$  based air-purifier for wall-mounted A/C. It is designed for easy installation<sup>2</sup> into any ducted HVAC system, is a Zero Ozone Verified<sup>3</sup> device, requires no maintenance, and consumes minimal energy.

## How it Works

TADIRAN AIROW 3™ uses a discharge current to break apart  $O_2$  (Oxygen) molecules into two separate O atoms. The free oxygen atoms combined with water ( $H_2O$ ) molecules in the airflow, transform into purifying Hydrogen Peroxide ( $H_2O_2$ ). The Hydrogen Peroxide is then distributed through the indoor air conditioning unit traveling into the conditioned space thus eliminating aerosol pathogens.



Indoor Air Quality Matters

96%

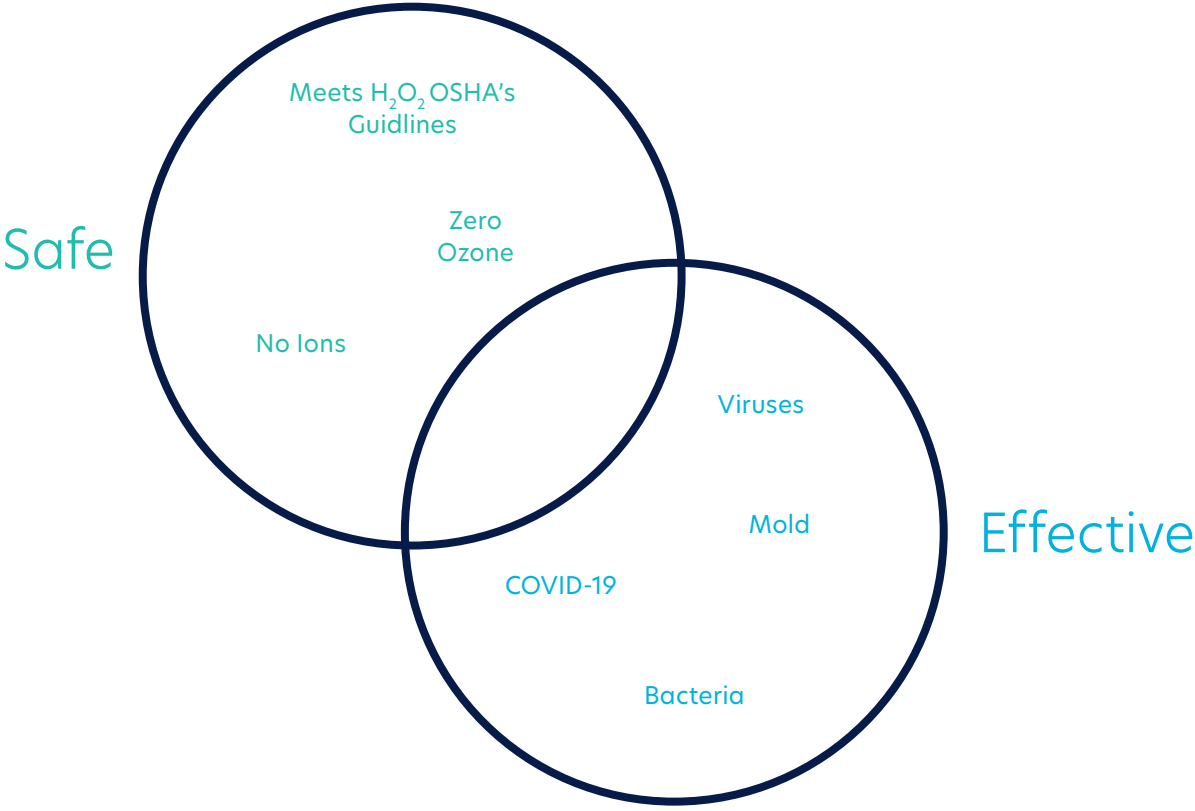
of all homes  
are polluted<sup>6</sup>

90%

of our time is  
spent indoors<sup>6</sup>

# WHY CHOOSE WHEN YOU CAN FUSE?

The Effective and Safe Choice



H<sub>2</sub>O<sub>2</sub>  
Patented Technology



Ozone Free<sup>5</sup>



Plug & Play  
Installation<sup>4</sup>



Highly Effective  
Against Biological  
Pathogens



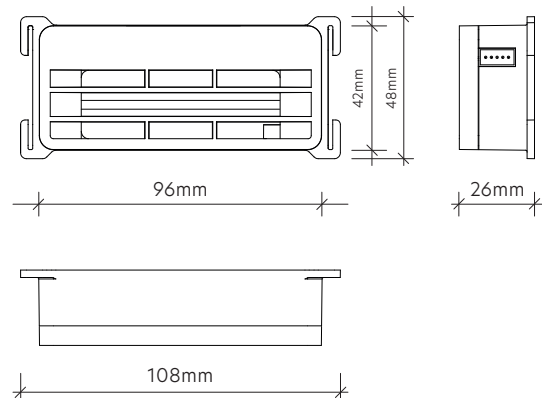
Zero  
Maintenance



Low Electricity  
Usage

# PRODUCT SPECS

Specification Type	Title	Value
<b>Electrical</b>	Power Supply Input Voltage	100 to 240 VAC
	Power Supply Output Voltage	12 VDC $\pm$ 10%
	Device Power Consumption	1 W Max
<b>Mechanical</b>	Weight	100g
	Dimensions	108 x 48 x 26mm
	Housing Material	ABS Plastic
	Color	White
<b>Environment</b>	Operation Temperature	-5°C to +55°C
	Operation Humidity (Non-Condensing)	20%-85%
	Air Flow Rating	2720 m <sup>3</sup> /H
<b>Features</b>	Maintenance Free	Zero Maintenance
	LED Indication	Green: Proper Operation / Red: Failure
<b>Gas Emission</b>	Hydrogen Peroxide Concentration	$\leq$ 15 ppb
	Ozone Concentration	$\leq$ 5 ppb



# BACKED BY SCIENCE

Bioaerosol Type	Species/Protocol	Testing Lab	Results
<b>Bacteria</b>	Streptococcus pyogenes (Group A) Chamber size: 36m <sup>3</sup> , after 120 min	Innovative Bioanalysis Labs, USA	<b>100%</b> <sup>2</sup>
	Staphylococcus Epidermis vegetative (+) Chamber size: 1m <sup>3</sup> , after 60 min	Aerosol Research and Engineering Laboratories, USA	<b>99.994%</b> <sup>9</sup>
<b>COVID Virus</b>	SARS-CoV-2 Chamber size: 16m <sup>3</sup> , after 60 min	Innovative Bioanalysis Labs, USA	<b>99.93%</b> <sup>7</sup>
<b>Virus</b>	RNA Virus MS2 Bacteriophage Chamber size: 1m <sup>3</sup> , after 60 min	Aerosol Research and Engineering Laboratories, USA	<b>99.994%</b> <sup>8</sup>
<b>Mold Spore</b>	Blue Mold (Penicillium Citrinum) Aerosolized Chamber size: 25m <sup>3</sup> , after only 3 hours	Kitazao Laboratory, Japan	<b>99.4%</b> <sup>10</sup>
<b>Ozone Emission</b>	UL 867 Section 40	INTERTEK	<b>&lt;5 ppb<sup>5</sup> Tested</b>



<sup>1</sup>TADIRAN AIROW 3 device was tested in the US-based internationally recognized laboratory Innovative Bioanalysis, which is BSL3 accredited. <sup>2</sup>TADIRAN AIROW 3 reduced the aerosol of Streptococcus pyogenes in 36 cubic meter test chamber, by 100% within 120 min. <sup>3</sup>Independent tests commissioned by Tadiran showed that TADIRAN AIROW™ technology eliminated known aerosolized pathogens under optimal testing conditions. To learn more about the tests, visit [www.tadiran-international.com/scientific-testing](http://www.tadiran-international.com/scientific-testing). <sup>4</sup>Only qualified and licensed HVAC technicians may install TADIRAN AIROW. <sup>5</sup>TADIRAN AIROW is verified as zero ozone. Does not emit more than 0.005PPM as tested per UL 867. <sup>6</sup>World Health Organization EPA report on the environment <https://www.epa.gov/report-environment/indoor-air-quality>. Pre COVID-19. <sup>7</sup>TADIRAN AIROW 3 reduced detected SARS-CoV-2 aerosol levels by 99.93% within 1 hour (16 cubic meter test chamber). <sup>8</sup>TADIRAN AIROW 3 reduced MS2 levels by 99.994% in 1 hour (1 cubic meter test chamber). <sup>9</sup>TADIRAN AIROW 3 reduced detected Bacteria Staphylococcus epidermidis aerosol levels by 99.994% within 1 hour (1 cubic meter test chamber) <sup>10</sup>TADIRAN AIROW 3 reduced Aerosol of Blue Mold by 99.4% within 3 hours in a 25m<sup>3</sup> chamber. <sup>11</sup>TADIRAN AIROW 3 creates <15 ppb H<sub>2</sub>O<sub>2</sub> based on a test conducted by LSC Laboratory inc. <sup>12</sup>TADIRAN AIROW 3, tested by TUV and Intertek, does not emit more than 0.005PPM. <sup>13</sup>All pictures shown are for illustration purposes only. Actual product may vary.



**TADIRAN**

[www.tadiran-international.com](http://www.tadiran-international.com) | [info@tadiran-international.com](mailto:info@tadiran-international.com)

For more details regarding Terms and Conditions and Privacy Policy, visit our website: [www.tadiran-international.com](http://www.tadiran-international.com)  
Copyright © 2022 - Tadiran International. All rights reserved. This document may be revised by Tadiran at any time.