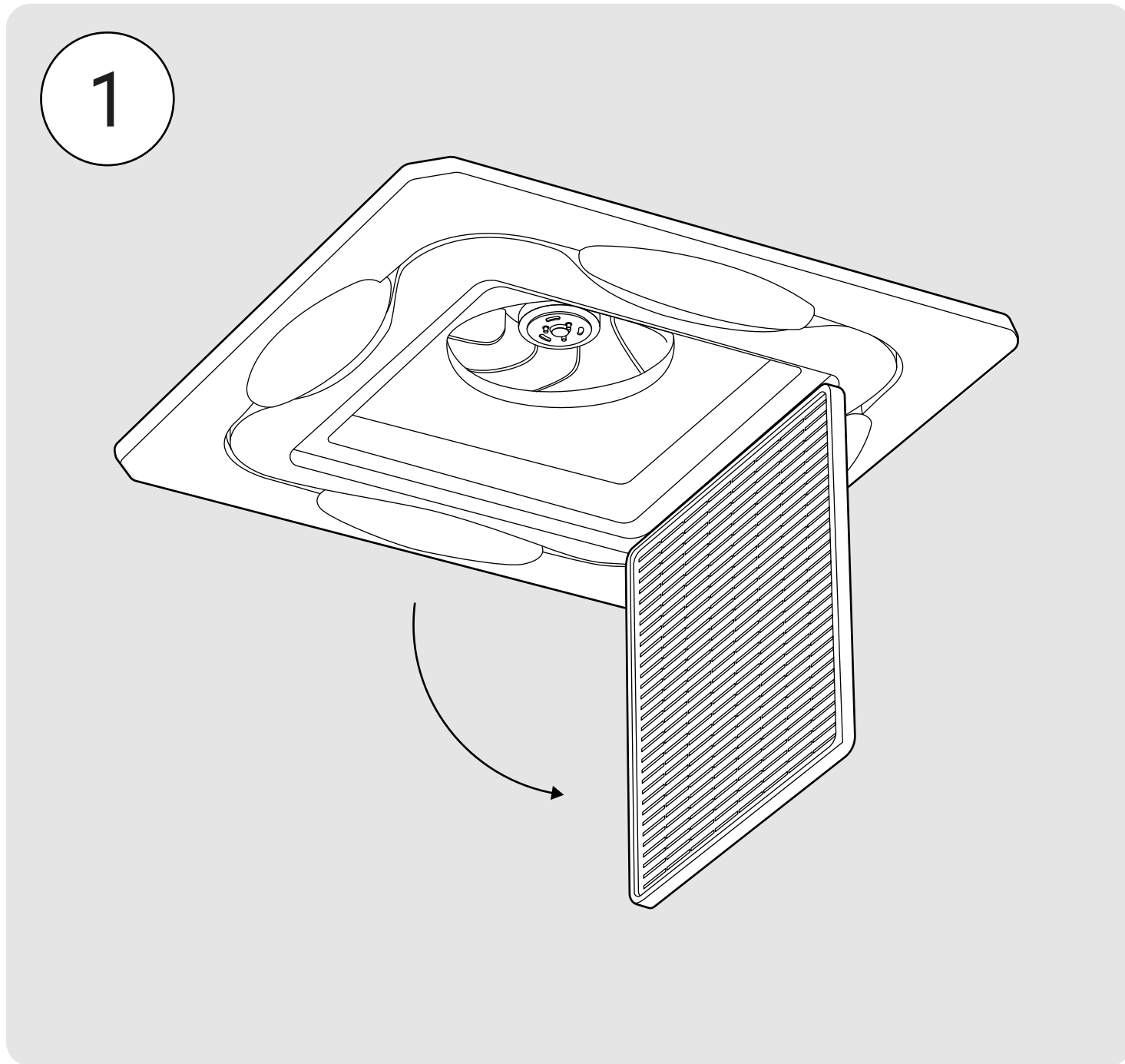
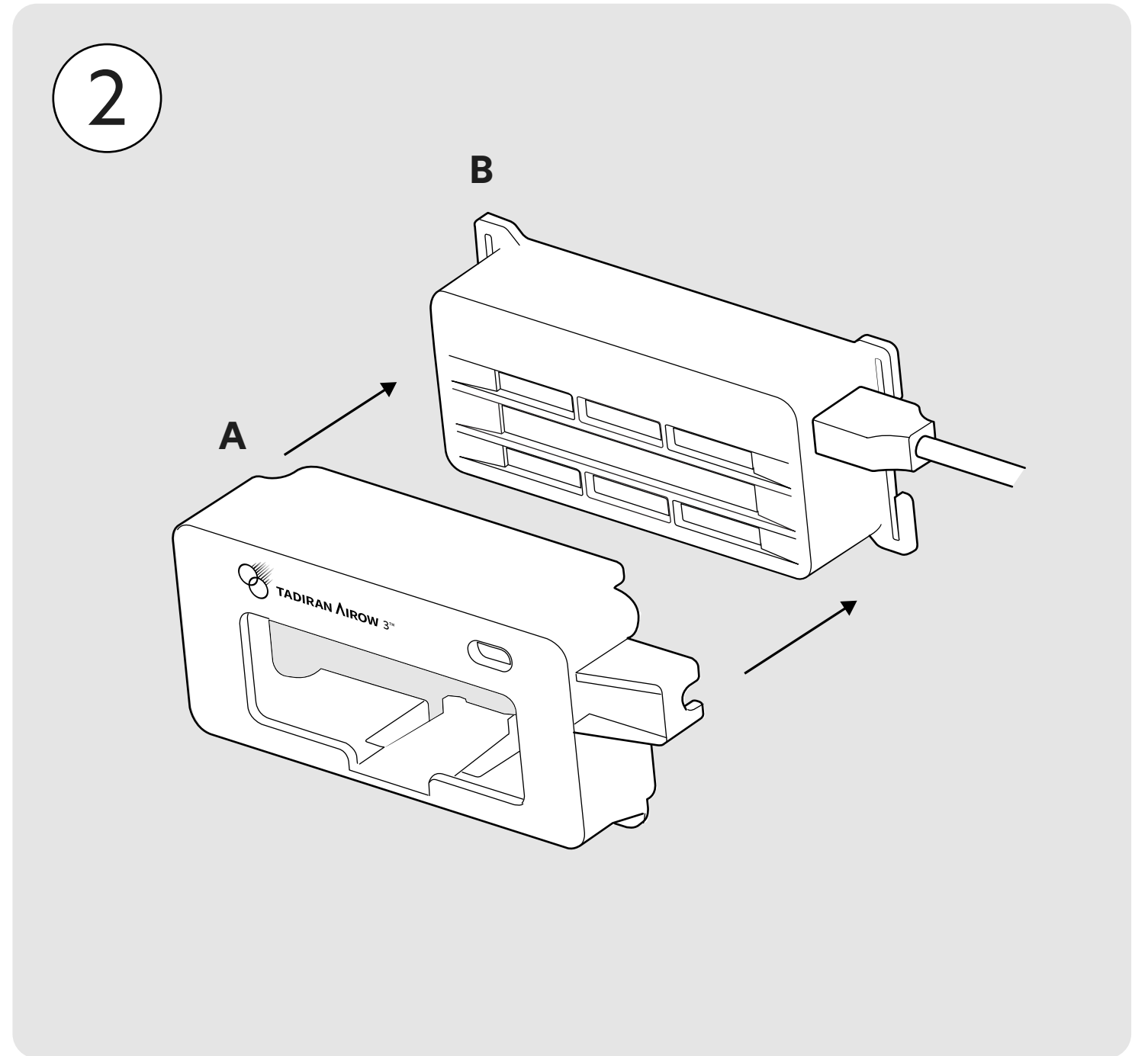


# Mounting Bracket

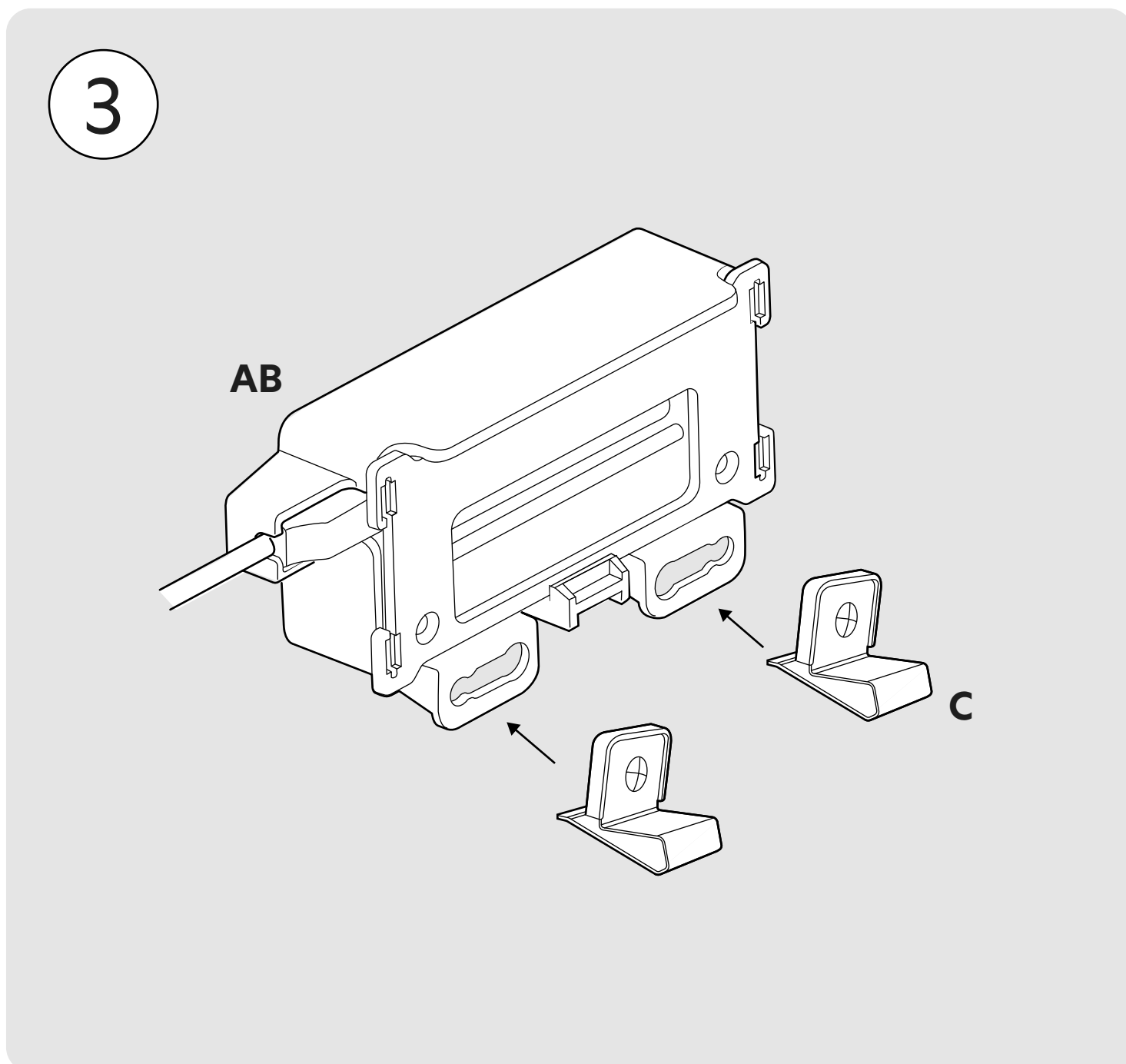
Cassette | Quick Installation guide



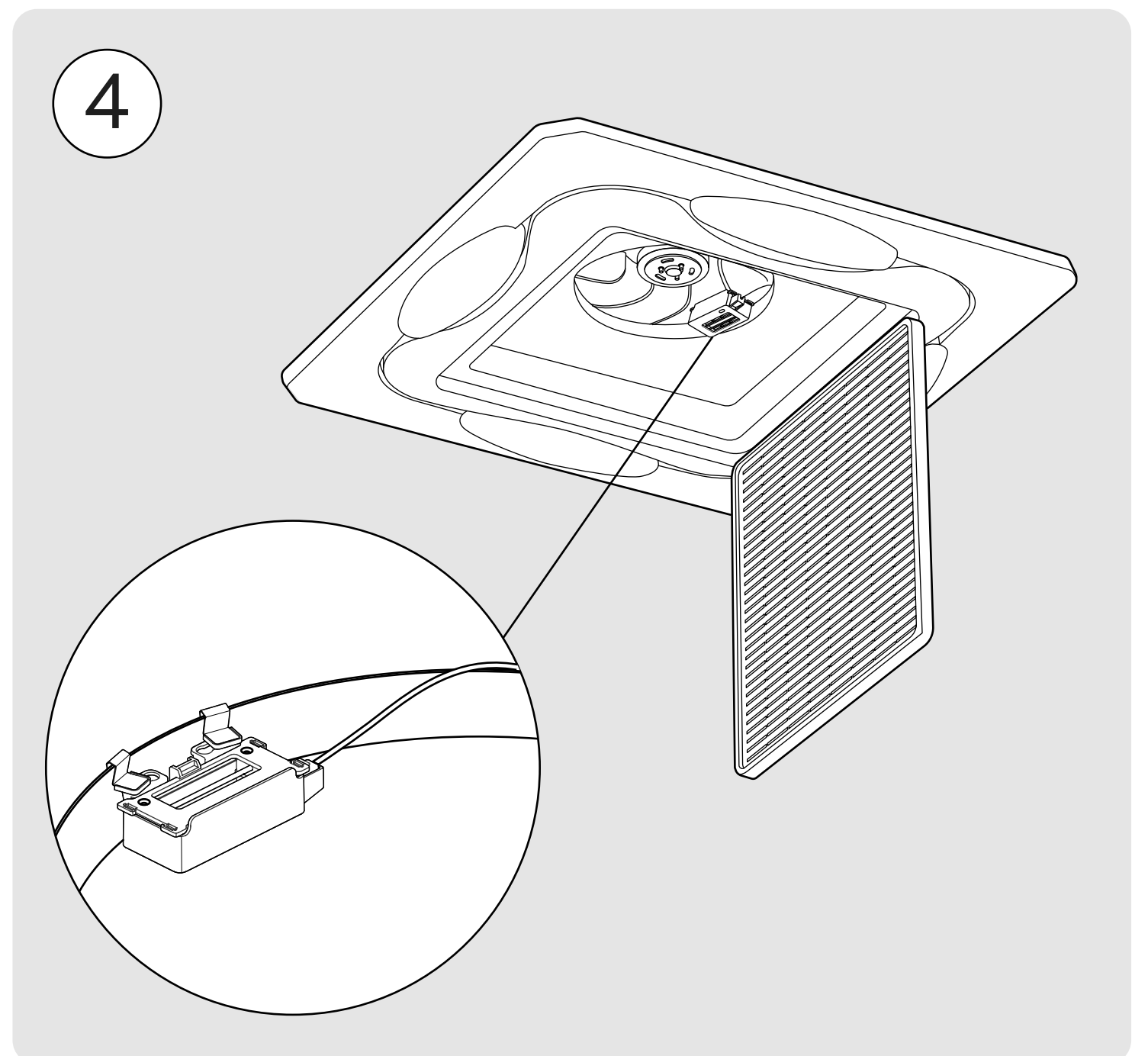
Open the cassette cover



Snap part "A" to part "B"



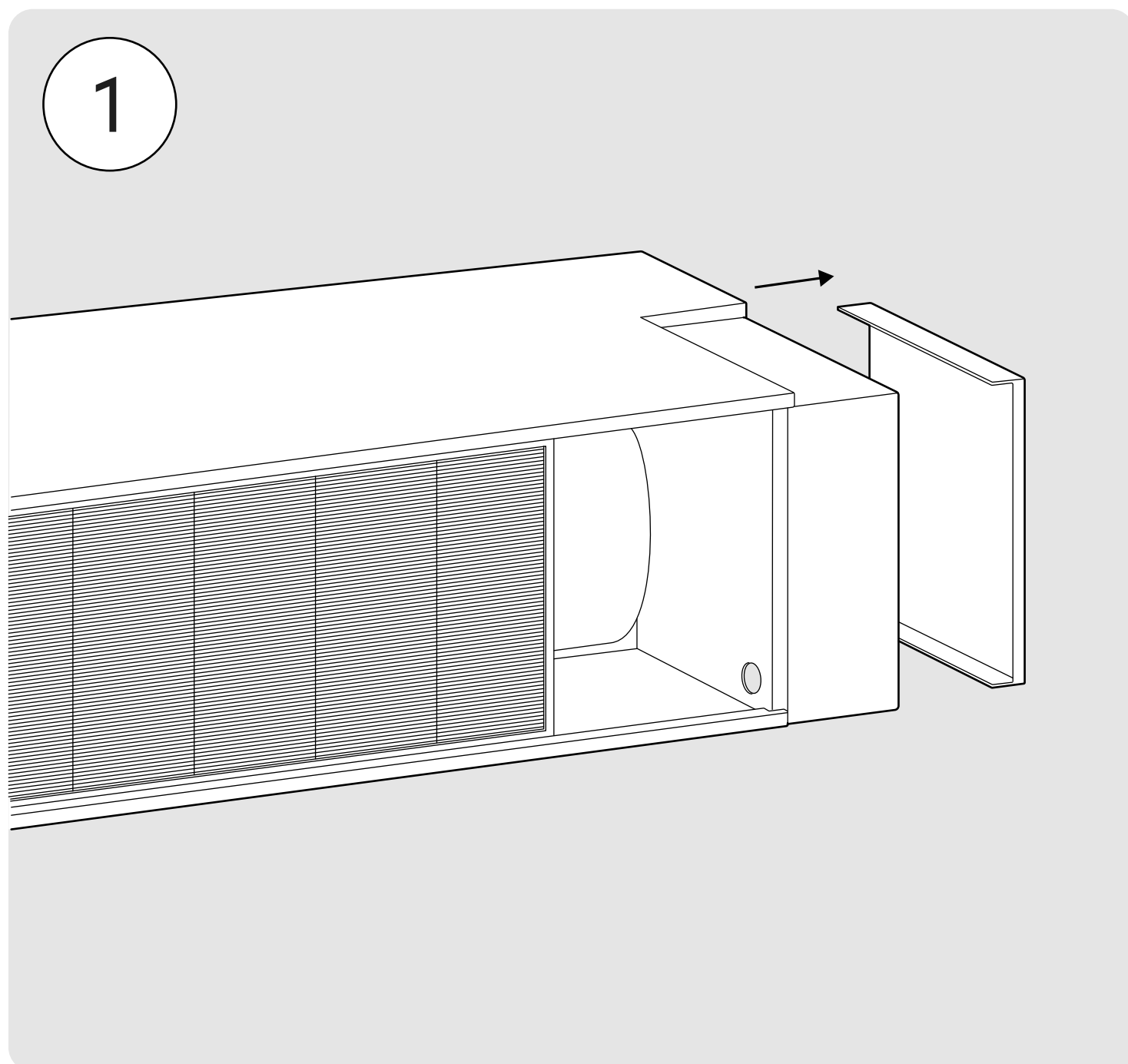
Snap part "C" on the back of part "AB"



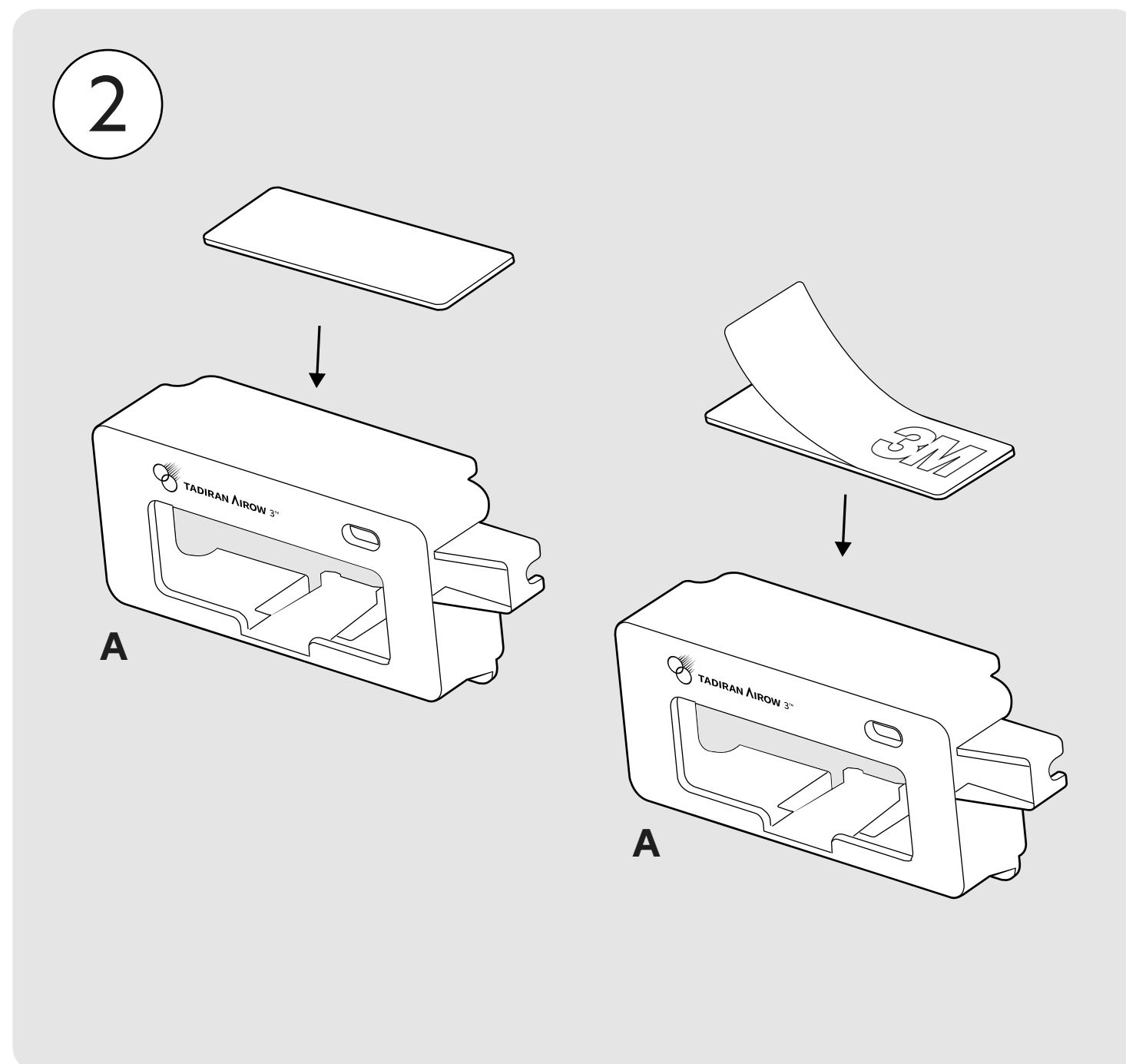
Using part "C" to install part "AB" on the circular frame

# Mounting Bracket

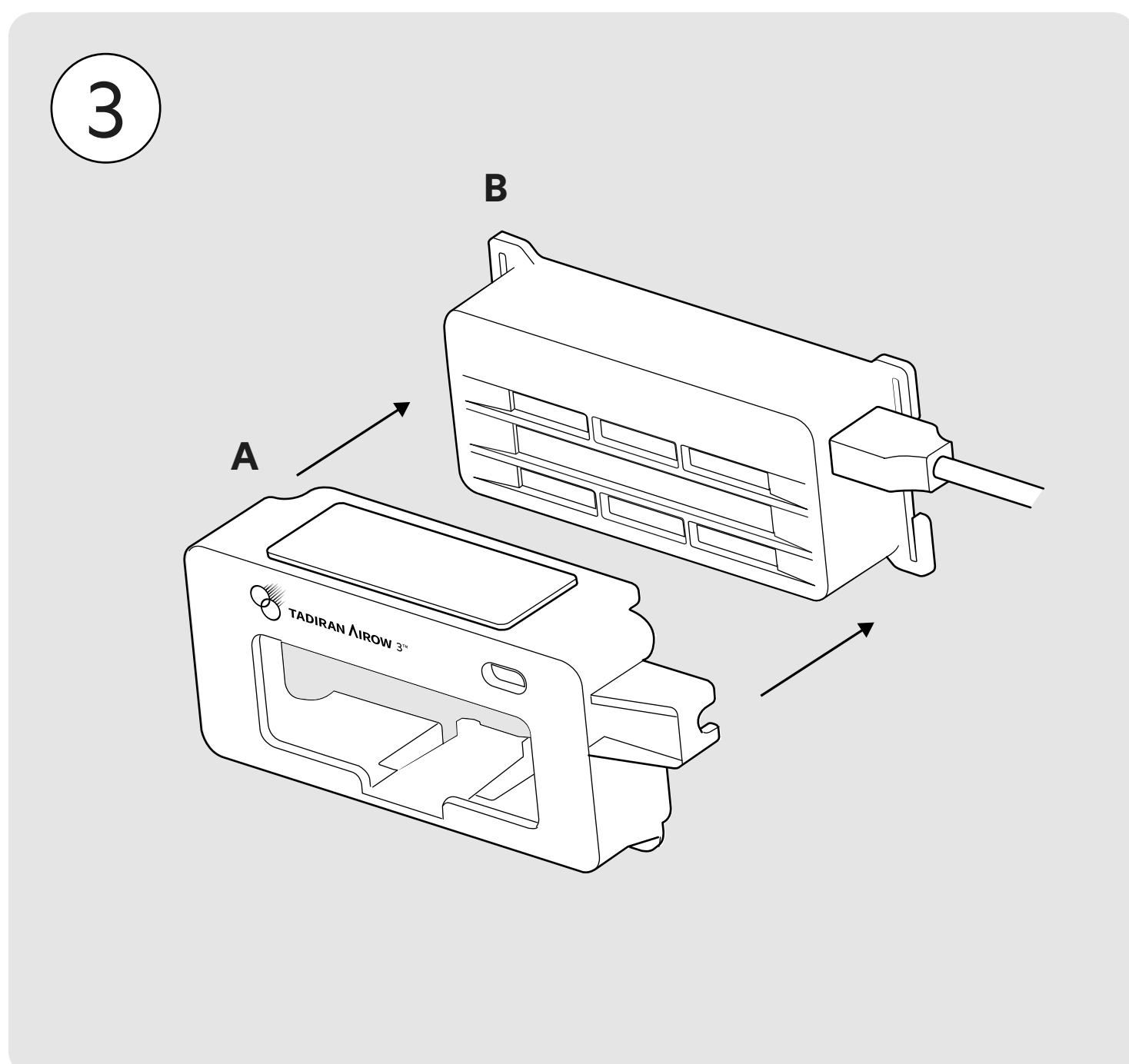
## Ducted Systems | Quick Installation guide



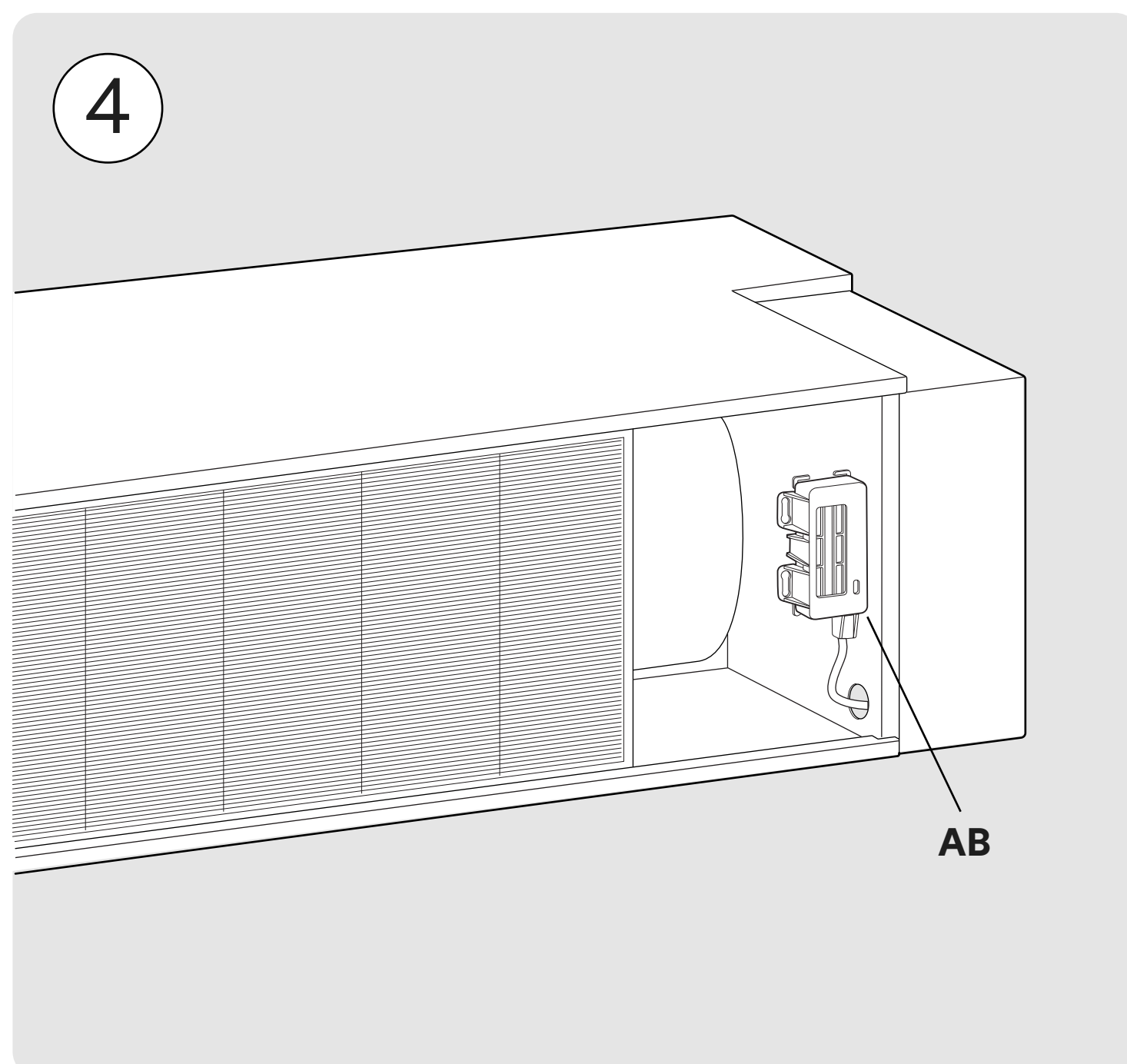
Open the air intake filter and the cover of the electrical block



Attach magnet/double-sided tape to part "A"



Snap part "A" to part "B"



Install the "AB" part in the indicated location